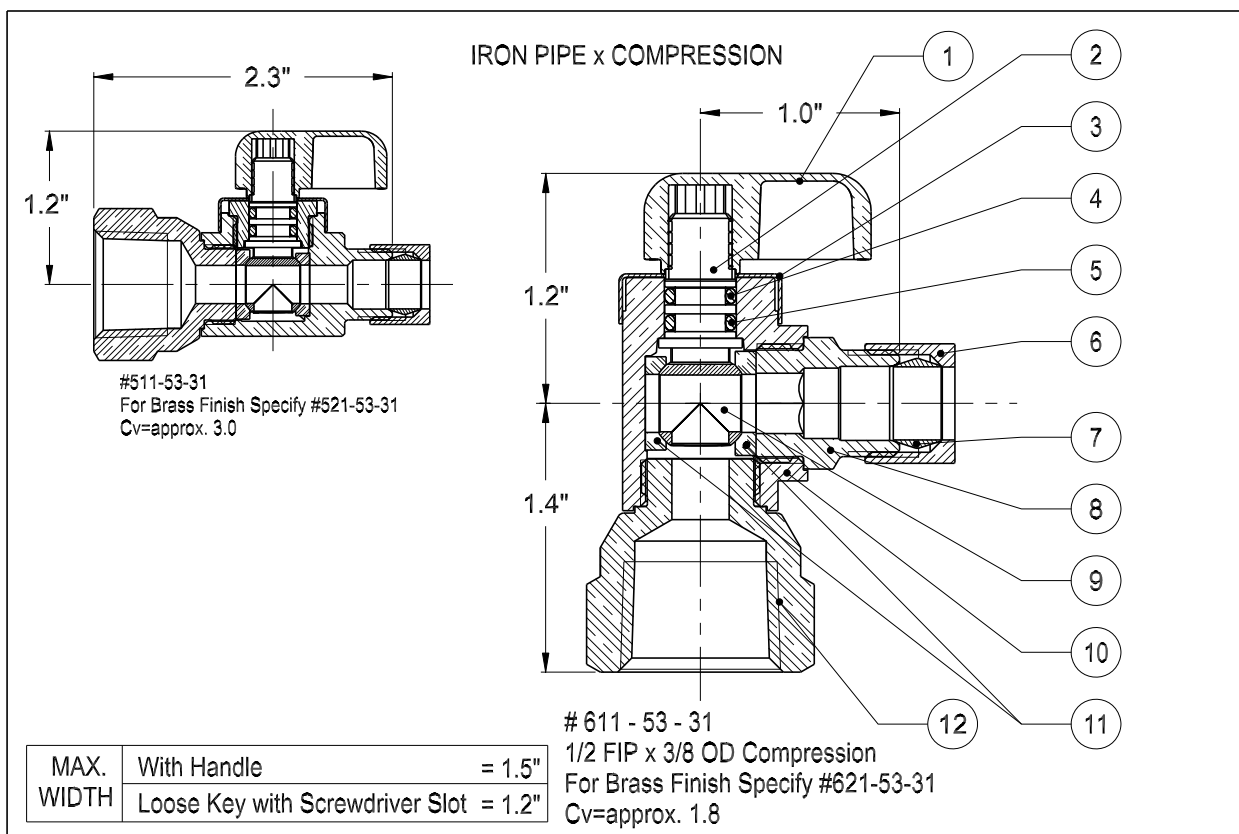


# dahl-ECO mini-ball™ Valve

Lead-Free Compliant - Plumbing



Text Below Represents Angle Plated Finish

- |  |   |
|--|---|
| 1. Handle - Nickel Plated Zinc             | 7. Tapered Sleeve - Brass                         |
| 2. Spindle - Nickel Plated Brass           | 8. End - 3/8 OD Compression - Nickel Plated Brass |
| 3. Stop Cap - Nickel Plated Brass          | 9. Ball - Plated Brass                            |
| 4. O-Ring - EPDM                           | 10. Body - Chrome Plated Brass                    |
| 5. O-Ring - Fluorocarbon (FKM)             | 11. Seals - PTFE                                  |
| 6. Nut - 3/8 OD Compression - Plated Brass | 12. End - 1/2 FIP - Chrome Plated Brass           |

Working Pressure: 250 psi / 250°F  
depending on pipe material.

 US, UPC®  
NSF / ANSI 61-G  
NSF / ANSI 372

Designed and Manufactured in  
Canada

Also available: Loose Key with Screwdriver Slot operation



**dahl brothers canada limited**

2600 S. SHERIDAN WAY, MISSISSAUGA, ON, CANADA L5J 2M4  
905-822-2330 CAN 800-268-5355 U.S. 800-268-2363  
FAX(905) 855-1450, USA AND CANADA 800-226-1801  
[sales@dahlvalve.com](mailto:sales@dahlvalve.com) [www.dahlvalve.com](http://www.dahlvalve.com)

We reserve the right to alter prices and/or technical details without notice